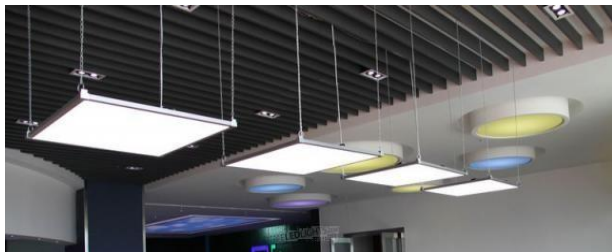


PLG Panel Series

Seamless, low profile design for ambient lighting



Seamless, low profile design for ambient lighting

Enjoy the sleek appearance of sky lighting with the PLG side lit LED panel light. The high performance of the optical system allows for low power densities for typical applications. Compatible with traditional drop grid ceilings, with accessory options for flush mount or suspension mount.

Optical:

- Can replace traditional Troffer style fixtures.
- White light color available from 2.7K to 5K
- > 80 CRI
- IES files are available
- Available with 0-10V dimming compatible with building controls like occupancy sensors, timers, dimmers, and daylight harvesters.

Performance

- 50,000+ Hour lamp life
- LM-80, LM-79, TM-21 information available
- -55° C to +40° C Ambient Temperature Rating
- 5 Year Standard Warranty. Extended warranty options available.

** All size, materials, and performance combinations may not be UL and DLC certified. Please reference listing agency to verify, or ask your PLG representative. Any combination not currently listed can be listed upon request.*

Electrical

- Accepts range of line voltages between 120V to 277V AC
- Option for High Voltage Input
- THD < 20%
- PF > .9
- Available with additional battery back up power supply for emergency lighting

Mechanical

- Housing made from Aluminum for superior stability and heat sinking
- Precise fit into drop grid ceilings.
- Quick connect terminals for line side connections.
- Available with safety clamps, flush mount kits, and suspension kits to installation in almost any indoor ambient lighting application.



19442 East Warner Road
Mesa, AZ 85212

Phone: 480.218.6104
Fax: 480.654.8374

Email: info@plgled.com
Web: plgled.com

Ordering Information:

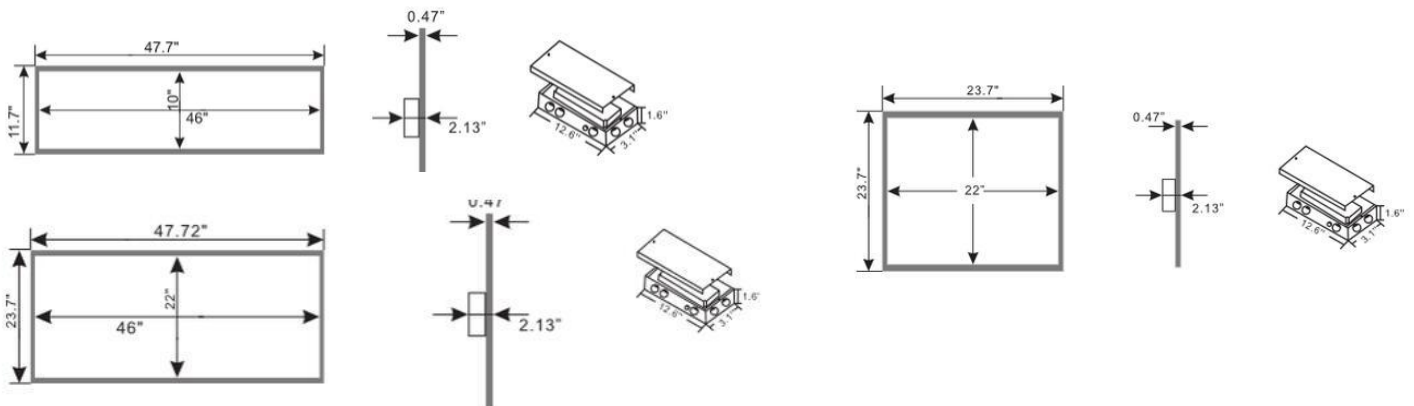
Example: PLG-PNL-2x2-30-50-DIM-SMK

<u>PLG</u>	<u>PNL</u>					
Brand	Series	Size (Feet)	Wattage	CCT	Dimmable	Options
PLG	PNL	1x4	25	27 (2700K)	DIM Blank (non-dim)	SMK (Surface Mount Kit) SPK (Susp. Mount Kit) WA (Wattage Adjuster) CT (Color Tune Adjuster) EM (Battery Backup) H1 (High Efficiency)
		2x2	30	30 (3000K)		
	TRF	2x4	36	35 (3500K)		
			40	40 (4000K)		
			50	45 (4500K)		
			60	50 (5000K)		
			70			

Specifications:

Brand	Series	Size	Wattage	Lumens	Efficacy	Minimum CRI	Input Volts
PLG	PNL TRF	1x4	36	3600	100	80	120
			40	4200	100		
		2x2	25	2600	100		208
			30	3900	130		
			36	3600	100		
			36	4680	130		
			40	4200	100		
			40	5200	130		
			50	5200	100		
		2x4	40	4200	100		277
			50	5200	100		
			60	6300	100		
			72	7500	100		

Typical Dimensions:



19442 East Warner Road
Mesa, AZ 85212

Phone: 480.218.6104
Fax: 480.654.8374

Email: info@plgled.com
Web: Plgled.com